

Mailing Address:
P.O. Box 1674
Warsaw, IN 46581-1674

EXCAVATOR

SEYMOUR[®] S500

INDUSTRIAL™

Phone: 844-SEYMOUR
Fax: 574-267-8508
www.SeymourMidwest.com

ASSEMBLY INSTRUCTIONS

Tools Needed for Assembly:

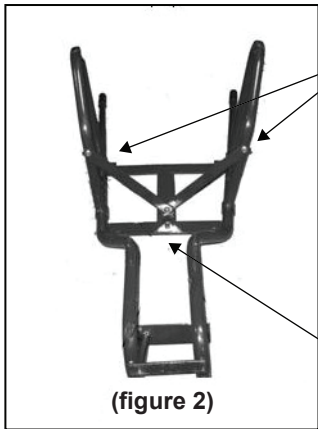
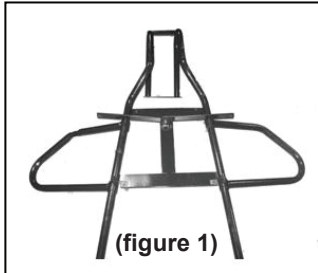
- 1/2" wrench (two)
- Adjustable wrench
- Large slotted screwdriver

Parts Shipped with Unit:

- Undercarriage Assembly
- Bolt Bag / Axle
- Steel Tray
- Single Wheel
OR Dual Wheel with Longer Axle Kit

Assembly Instructions

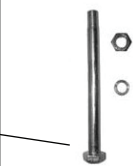
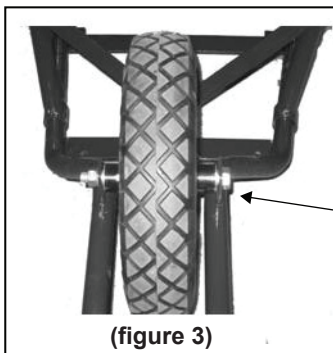
1. Turn undercarriage over and unfold legs. (figure 1)
2. Bolt on cross braces using 1 short bolt for center and 2 long bolts for ends. (figure 2)
3. *Single Wheel:* Place wheel in between tabs on nose of undercarriage and secure, using axle bolt. (figure 3)
Dual Wheel: Place each wheel on outside of the nose of undercarriage and secure using the longer axle kit (figure 4) (longer shaft bolt, two spacers, two large washers with self-locking nut)
4. Flip over undercarriage and fasten tray on with 6 short bolts (figure 5)
5. Make sure all bolts are tight.



Long Bolts



Short Bolt

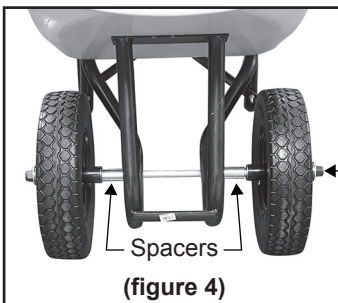


Single Wheel Axle Bolt

(figure 5)



Short Bolts



Dual Wheel Axle Bolt



FULL WARRANTY

All Seymour Midwest products carry a full warranty against manufacturer defects in quality and workmanship. Products which have been abused or worn out due to normal use are excluded from this warranty. We reserve the right to replace or issue credit on an individual basis.

PK90592 Rev1

01/10/17